

## Resource Module — Converts Solid-State Outputs to Force-Guided Relay Outputs

- Converts the solid-state safety and auxiliary outputs of one Omron STI safety device to electro-mechanical force-guided safety relay outputs
- Available for DC or AC input power
- Provides connection points for all safety device functions including MPCE monitoring and 24 VDC power
- Compatible with Omron STI's MS4600, MS4800, F3SJ, PA4600 and OS3101
- CE approved
- Enclosures —
  - RM-2: 100 mm DIN, IP20
  - RM-2AC: 150 mm DIN, IP20
  - RM-2AC-IP: metal chassis, IP65
- Removable terminal blocks



File No. LR90200-34

## Specifications

Performance	
Response Time:	10 ms NO, 20 ms NC
Indicators:	3 green LEDs: power, safety output 1, safety output 2
Electrical	
Input Power:	RM-2: 24 VDC, 19 VA RM-2AC: 100 to 240 VAC, 50 VA RM-2AC-IP: 100 to 240 VAC, 50 VA
Safety Outputs:	RM-2: Two NO force-guided contacts rated 250 VAC, 6A RM-2AC: Two NO and one NC force-guided contacts rated 250 VAC, 6 A RM-2AC-IP: Two NO and one NC force-guided contacts rated 250 VAC, 6A
Auxiliary (Non-Safety) Outputs:	RM-2: Two NC rated 250 VAC, 3 A RM-2AC: One NO/NC rated 250 VAC, 3 A RM-2AC-IP: Two NO/NC contacts rated 250 VAC, 3 A
MPCE Monitor or EDM:	The safety outputs of the RM unit may be monitored by the light curtain
Cable Connections/ Terminal Blocks:	2 rows of removable terminal blocks, 14 AWG max. wire
Environmental	
Enclosure Ratings:	RM-2: IP20 RM-2AC: IP20 RM-2AC-IP: IP65
Operating Temperature:	0 to 55°C (32 to 131°F)
Relative Humidity:	95% maximum, non-condensing
Conformity/ Approvals	
Conformity to Standards:	CE approved and conforms to IEC 61496-1, IEC 61508, EN 954-1, EN 60204-1, EN 50178, and Type 4* safety category. UL listed.
Mechanical	
Enclosure:	RM-2: IP20, polycarbonate din-rail mount RM-2AC: IP20, polycarbonate din-rail mount RM-2AC-IP: IP65, metal chassis
Dimensions:	RM-2: 100 mm W x 75 mm H x 110 mm D (3.94 in. W x 2.95 in. H x 4.33 in. D) RM-2AC: 150 mm W x 75 mm H x 110 mm D (5.91 in. W x 2.95 in. H x 4.33 in. D) RM-2AC-IP: 166 mm W x 283 mm H 70 mm D (6.55 in. W x 11.17 in. H x 2.76 in. D)

\* When used with an Omron STI Type 4 safety light curtain. Specifications are subject to change without notice.

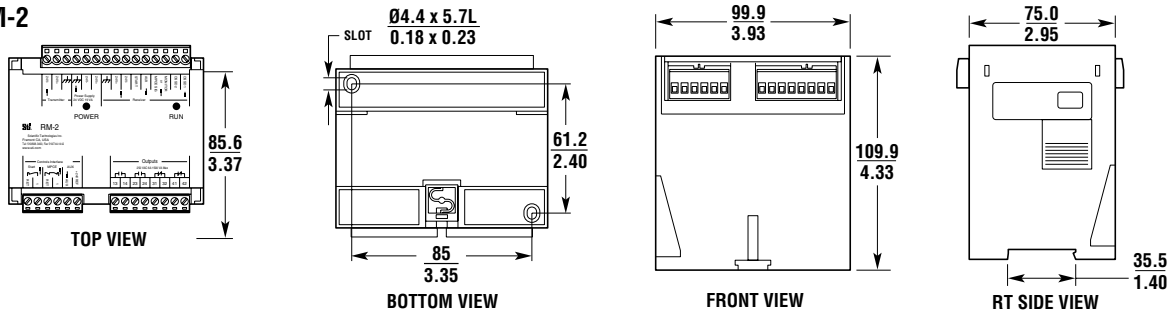
## Description

The RM-2, RM-2AC and RM-2AC-IP are resource modules that provide a centralized location for all wire terminations. In addition the RM-2AC and RM-2AC-IP supply power to the light curtain or scanner. When used in conjunction with Omron STI safety devices, they provide output conversion from solid-state to a mechanical relay output. These modules carry force-guided relays and can be used for the machine's primary controls (refer to the specifications for contact ratings). Removable terminal blocks facilitate installation and servicing.

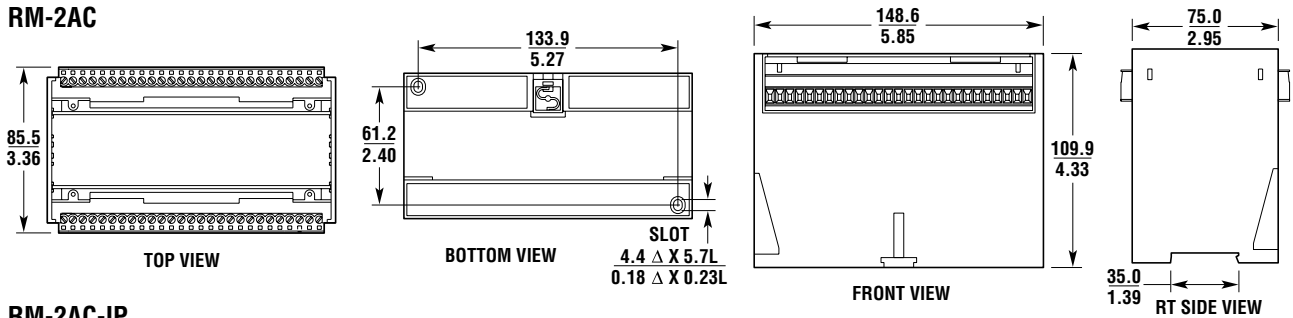
Dimensions

(mm/in.)

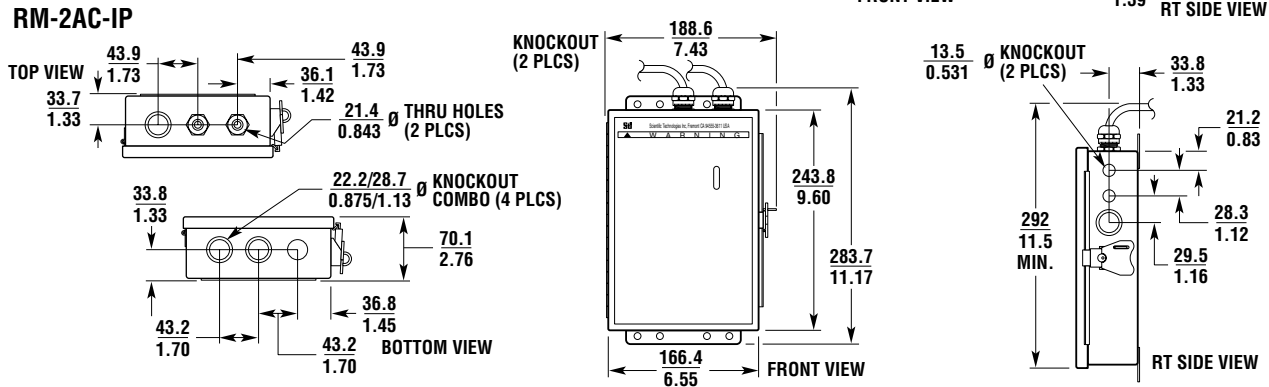
RM-2



RM-2AC



RM-2AC-IP



Ordering

Model No.	Description
RM-2	Resource module, 24 VDC, DIN rail-mount, for use with MS4800, MS4600 and PA4600
RM-2AC	Resource module, 100 to 240 VAC, DIN rail-mount, for use with MS4800, MS4600, PA4600 and OS3101.
RM-2AC-IP	Resource module, 100 to 240 VAC, metal chassis, for use with F3SJ-A, MS4800, MS4600, PA4600 and OS3101.
RM-2AC-IP-SB1	Resource module, 100 to 240 VAC, metal chassis, with key switches for quick-fixed blanking programming, for use with the MS4800S-SB1

  = Highlighted **Rapid Delivery** products are available for shipment today or within **THREE** days.

- For information on the OS3101, see page B1
- For information on the PA4600, see page C3
- For information on the F3SJ, see page D4
- For information on the MS4600, see page D23
- For information on the MS4800, see page D13
- For information on safety light curtain accessories, see page D48